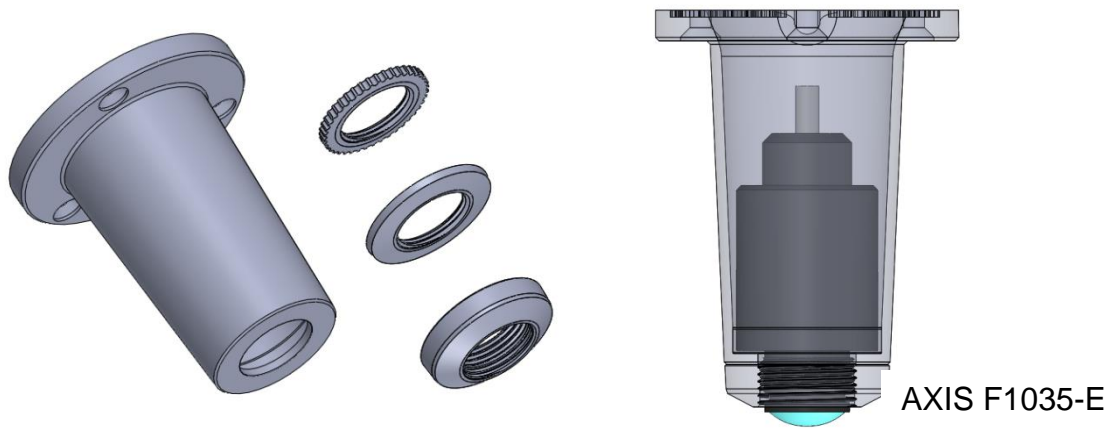


# ZM15 - Mount Cone straight

This mount is designed for straight modular cameras using an M20x1.5mm thread.

The mount comes with three M20x1.5mm nuts.

Cameras that fit are e.g. AXIS P1245/FA1105, F1005-E, F1035-E, P1214, P1214-E, P1224-E and P1280-E.



Order by using this link:

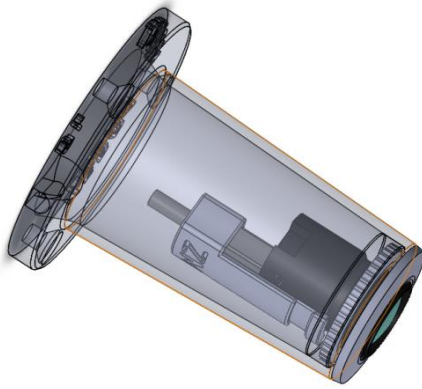
[ZM15 - Mount Cone, straight](#)

The parts are intended for indoor use.

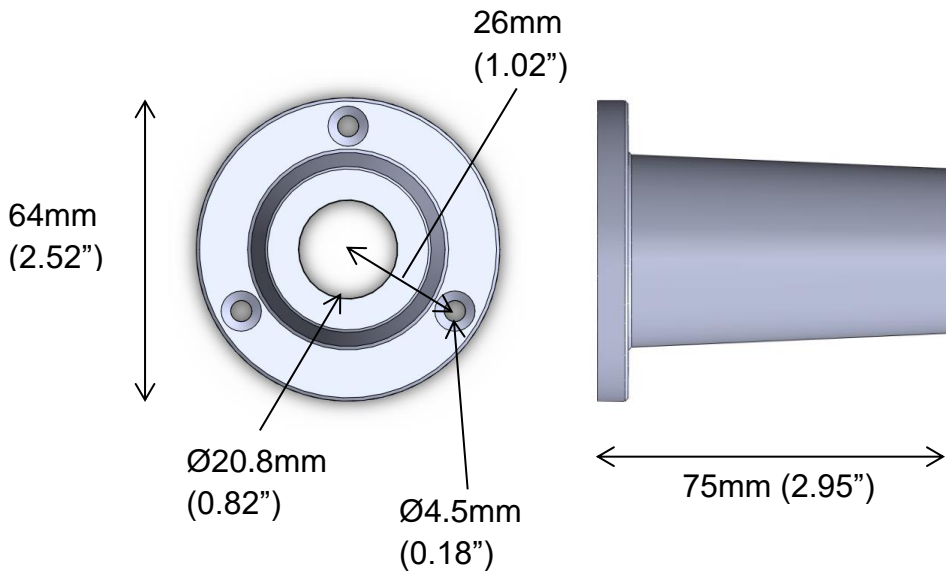
# ZM15 - Mount Cone straight



AXIS F1035-E



AXIS P1245/FA1105 + ZM11 (Strain relief)



The design is made for countersunk screws.