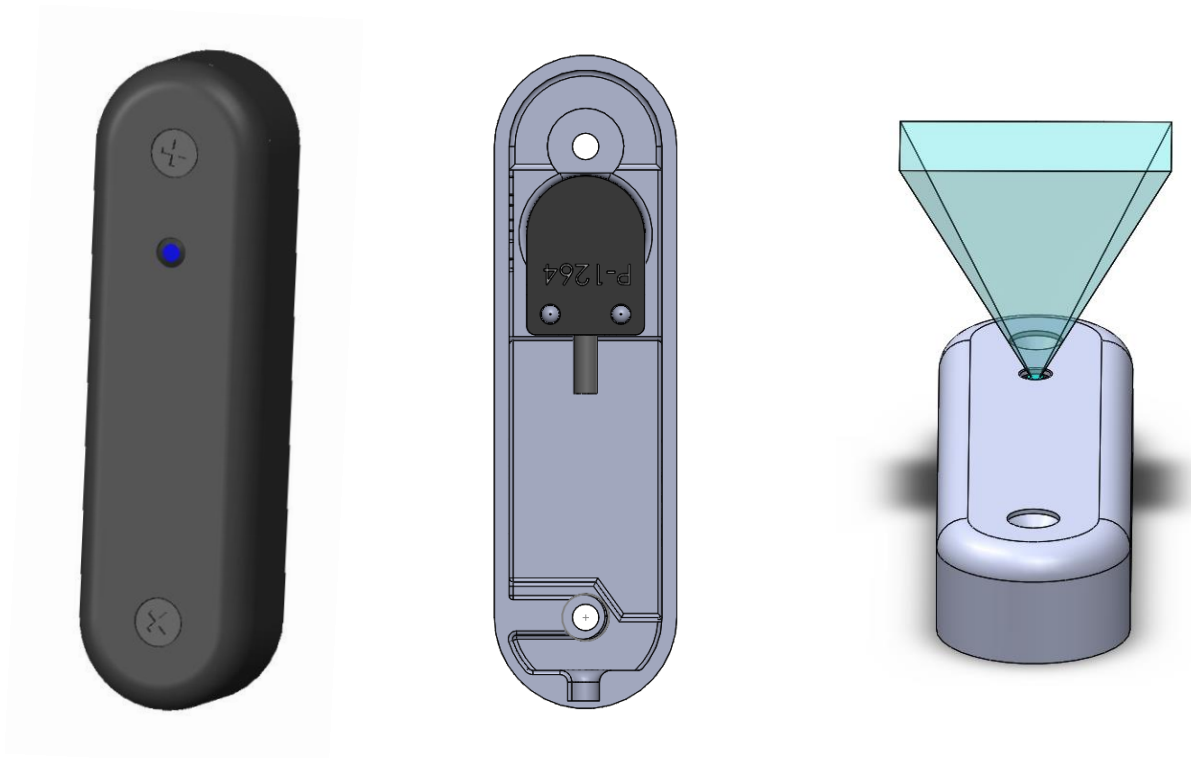


# ZM31 - Discreet Mount AXIS P1264

This mount is designed for the pinhole cameras AXIS P1264 and F1004.

The design offer a discreet way to mount a pin hole camera, e.g. in a doorway.

The cable may be routed through the wall or along the wall.

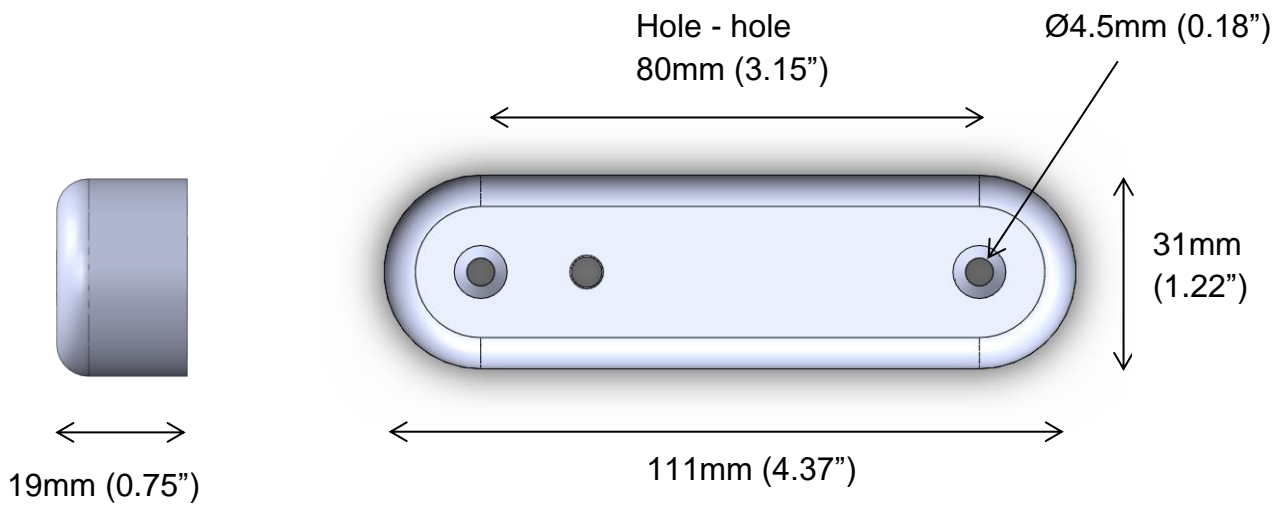
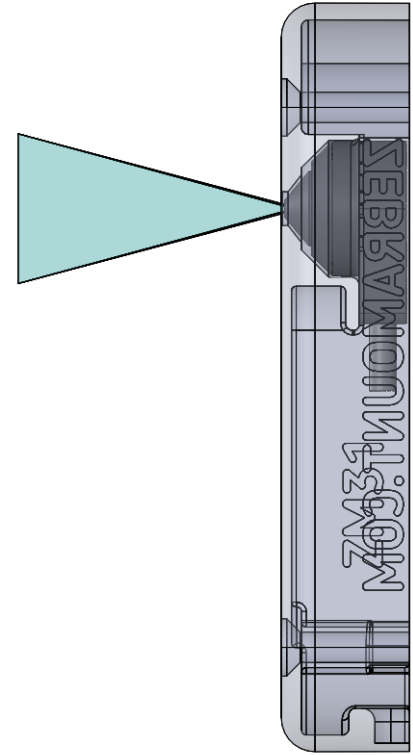
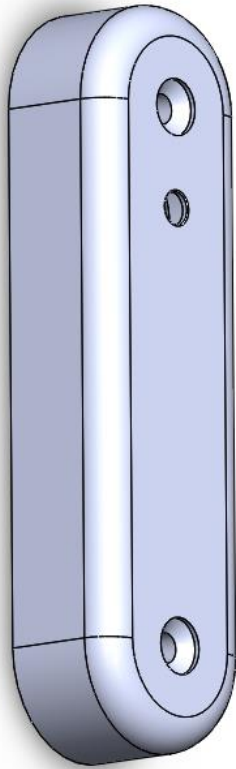


Order by using this link:

[ZM31 - Discreet Mount for AXIS P1264 and FA1004](#)

The parts are intended for indoor use.

# ZM31 - Discreet Mount AXIS P1264



The design is made for countersunk screws.