

# ZM35 - Covert Mount Waste Pipe P1265

This covert mount is designed for the modular pinhole cameras AXIS P1265 and FA1125. The main purpose is to make a covert installation, but it also opens up many ways to mount a modular pinhole camera.

The adapter makes it possible to mount the cameras using 40mm waste pipes and 1-1/2" plastic pipes (waste pipe and electrical conduits). By using angled joints, the direction of the camera may be adjusted in an easy way.

Cameras that fit are AXIS P1265 and FA1125.



Order by using this link:

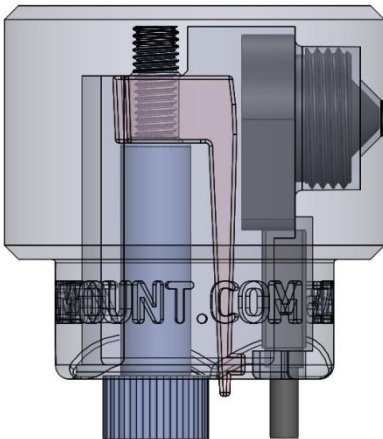
[ZM35 - Covert Mount Waste Pipe for P1265 and FA1125](#)

The parts are intended for indoor use.

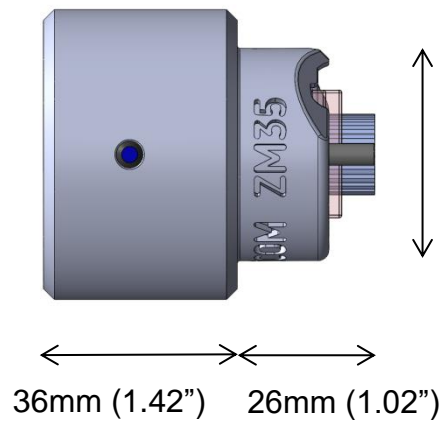
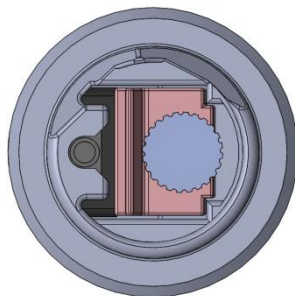
# ZM35 - Covert Mount Waste Pipe P1265



Separate the three parts, using a wire cutter, before mounting the camera.  
 Mount the camera at a steep angle before placing the lens in its hole.



54mm (2.13")



Diameter to fit pipe  
 39.5mm (1.56")